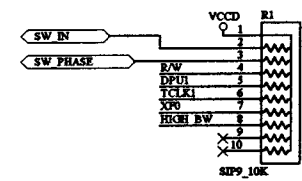
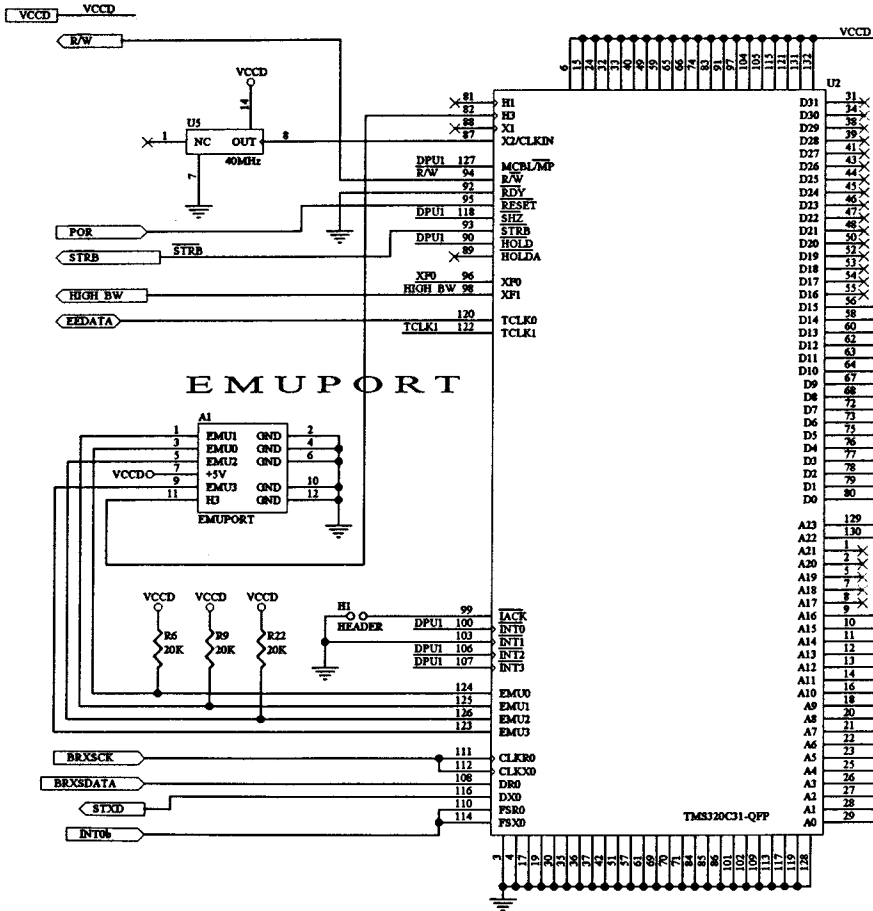
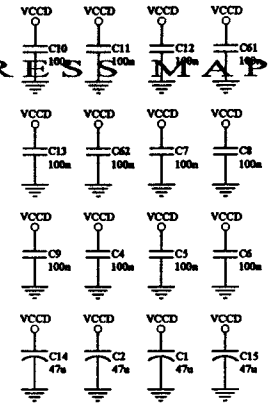


# MULTI-SHEET LINKAGE:

C:\DTIPRO\CH1REV\VSCH\SHEET1.SCH SHEET1.SCH  
 C:\DTIPRO\CH1REV\VSCH\SHEET2.SCH SHEET2.SCH  
 C:\DTIPRO\CH1REV\VSCH\SHEET4.SCH SHEET4.SCH  
 C:\DTIPRO\CH1REV\VSCH\SHEET5.SCH SHEET5.SCH  
 C:\DTIPRO\CH1REV\VSCH\SHEET6.SCH SHEET6.SCH

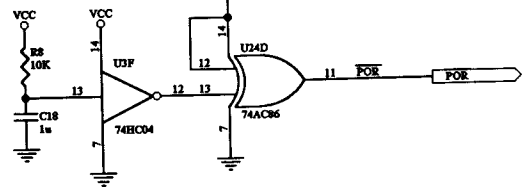
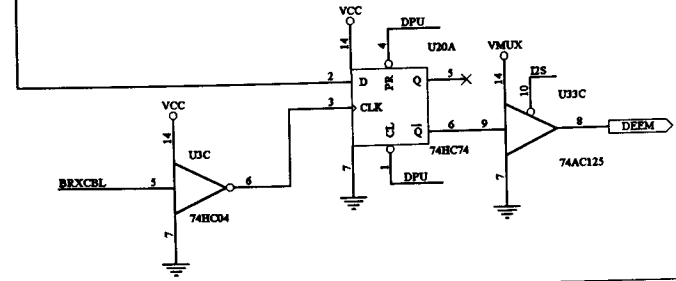
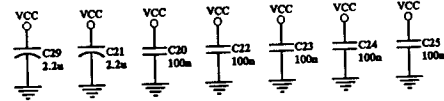
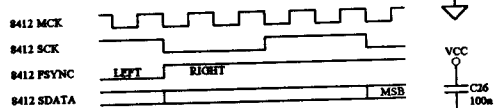
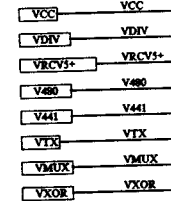
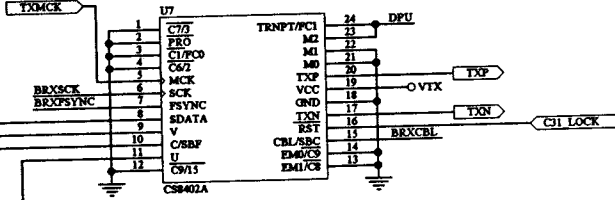
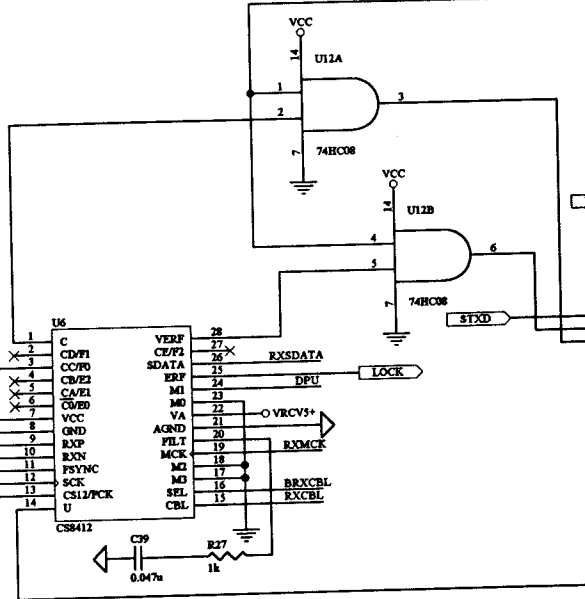
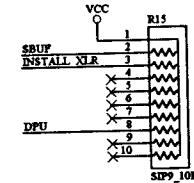
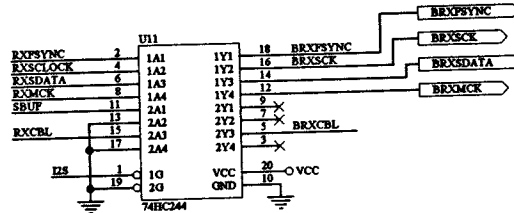
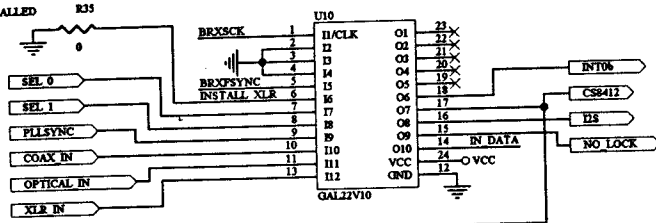
# EPROM ADDRESS MAP

Header	PA15	PA15	PA15	PA15	PA15
A15	HEZ	PA15	remove	remove	remove
Header	Header	Header	Header	Header	Header
VCCDO	PA15	install	install	install	remove
Header	Header	Header	Header	Header	Header
A14	HA4	PA14	remove	remove	install
Header	Header	Header	Header	Header	Header
VCCDO	PA14	install	install	remove	remove
Header	Header	Header	Header	Header	Header



Title: DTIPRO - DSP		
Size: B	Number:	Revision:
Date: 12-Nov-1996	Sheet of:	Drawn By: Keith Allsup
File: C:\CLIENT\DTIPRO.SCH		

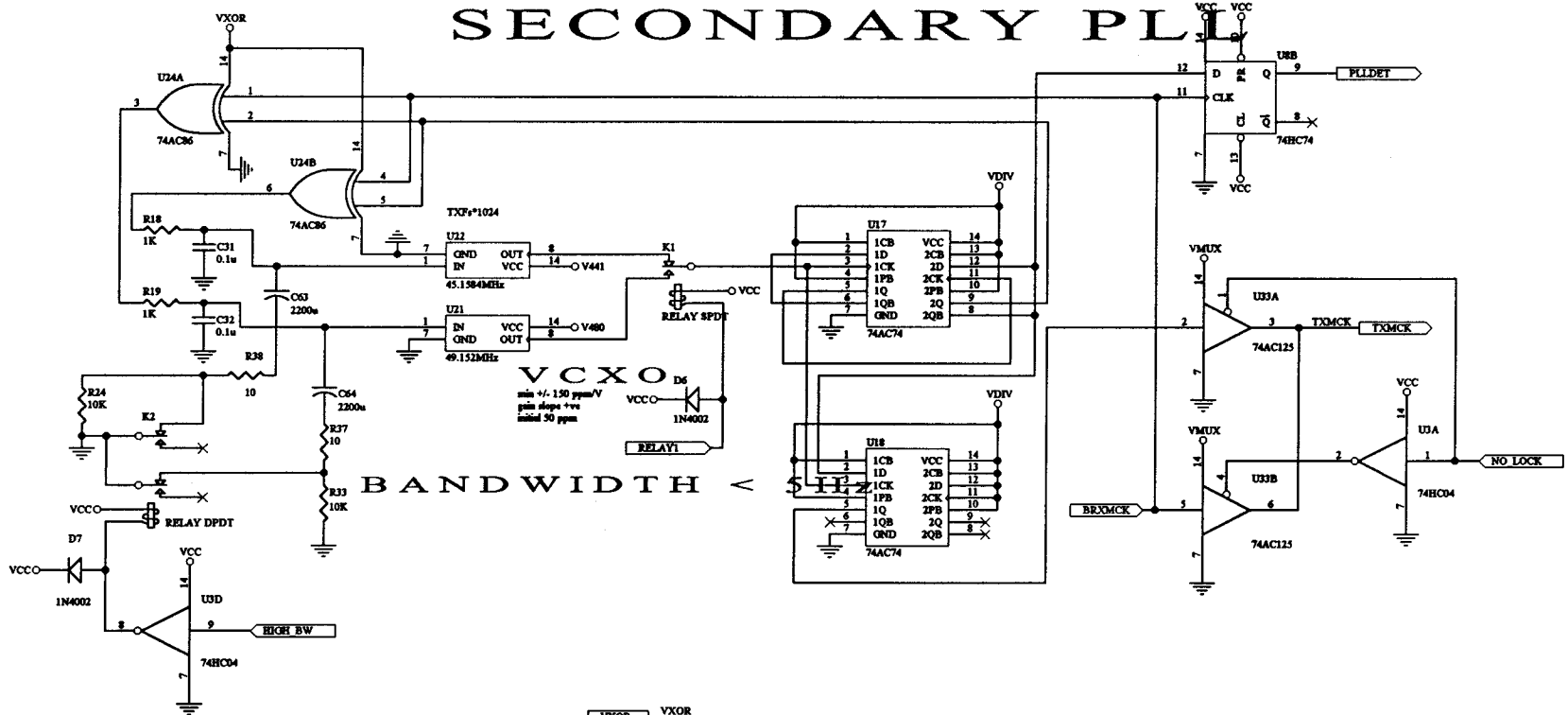
INSTALL R35 IF I2S INPUT INSTALLED



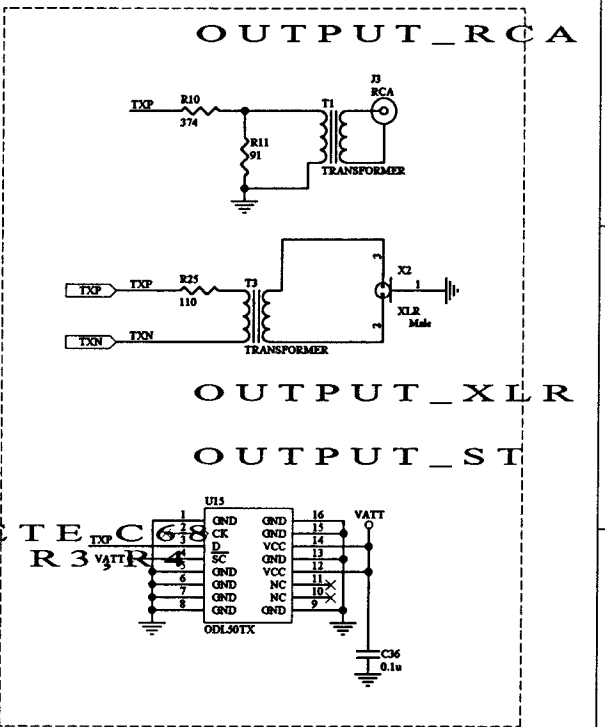
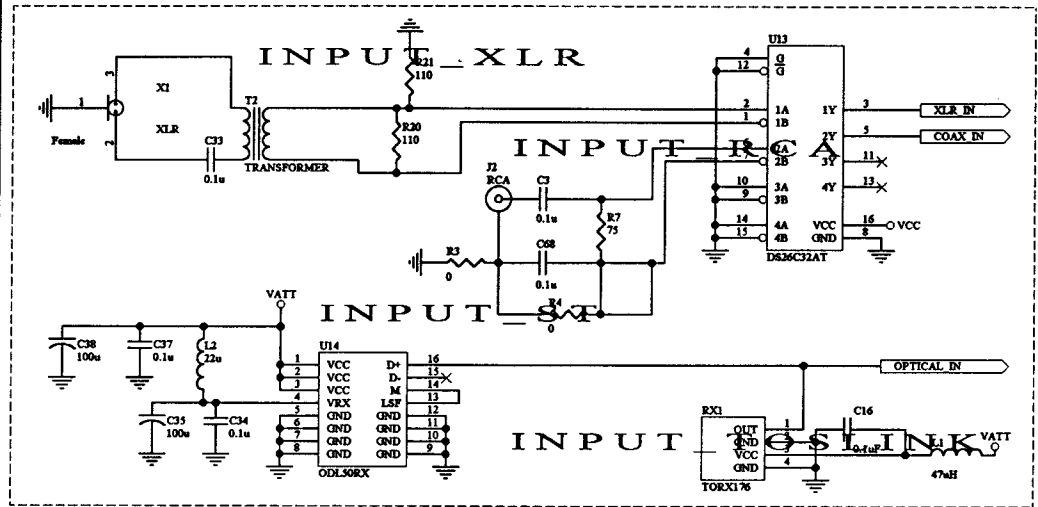
Title: DTIPRO - Digital Audio Interface		
Size: B	Number:	Revision:
Date: 12-Nov-1996	Sheet of	
File: CNCLDVTY_SHEET1.SCH	Drawn By: Keith Allsup	

# SECONDARY PLL

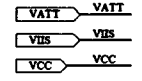
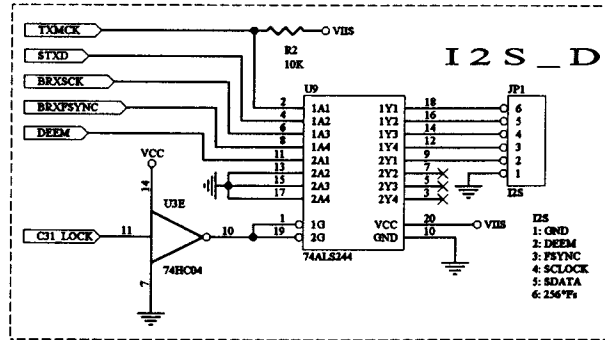
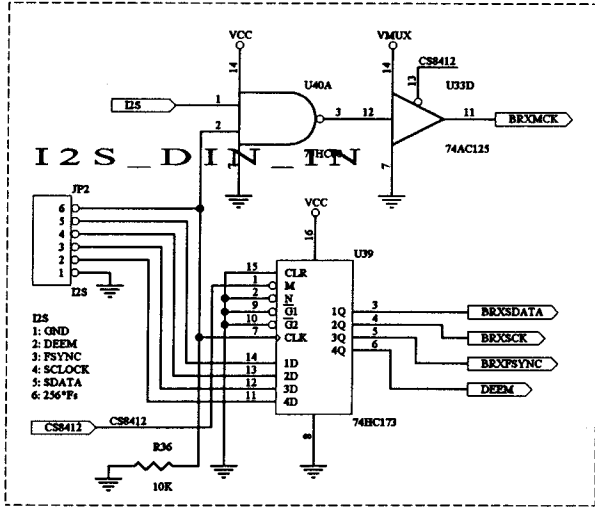
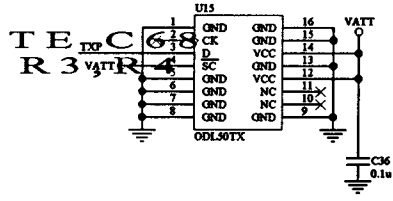
## LOCK DETECTOR



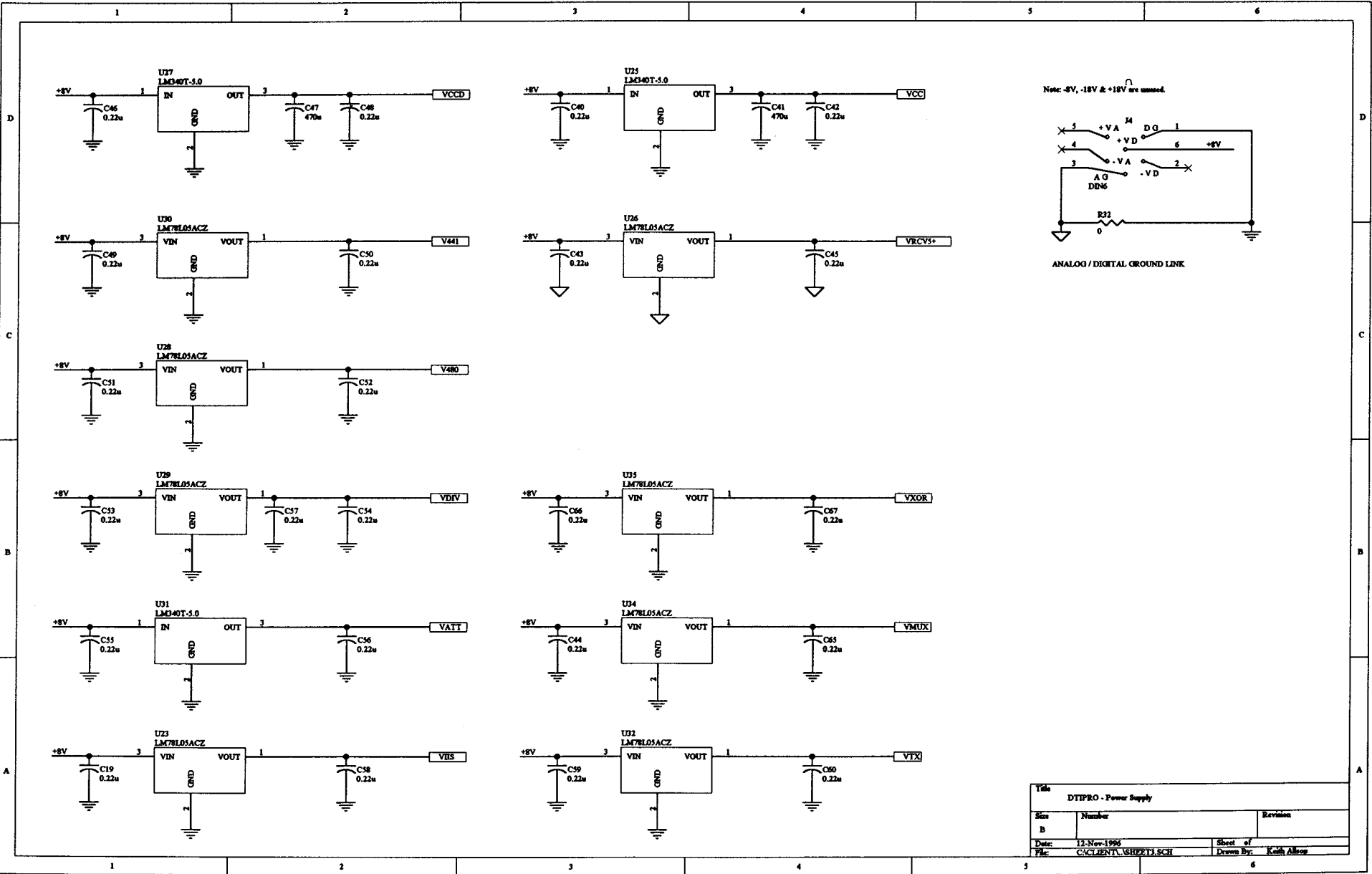
Title		
Size	Number	Revision
B		
Date:	12-Nov-1996	Sheet of
File:	C:\CLIENT\ SHEETS\SCH	Drawn By:

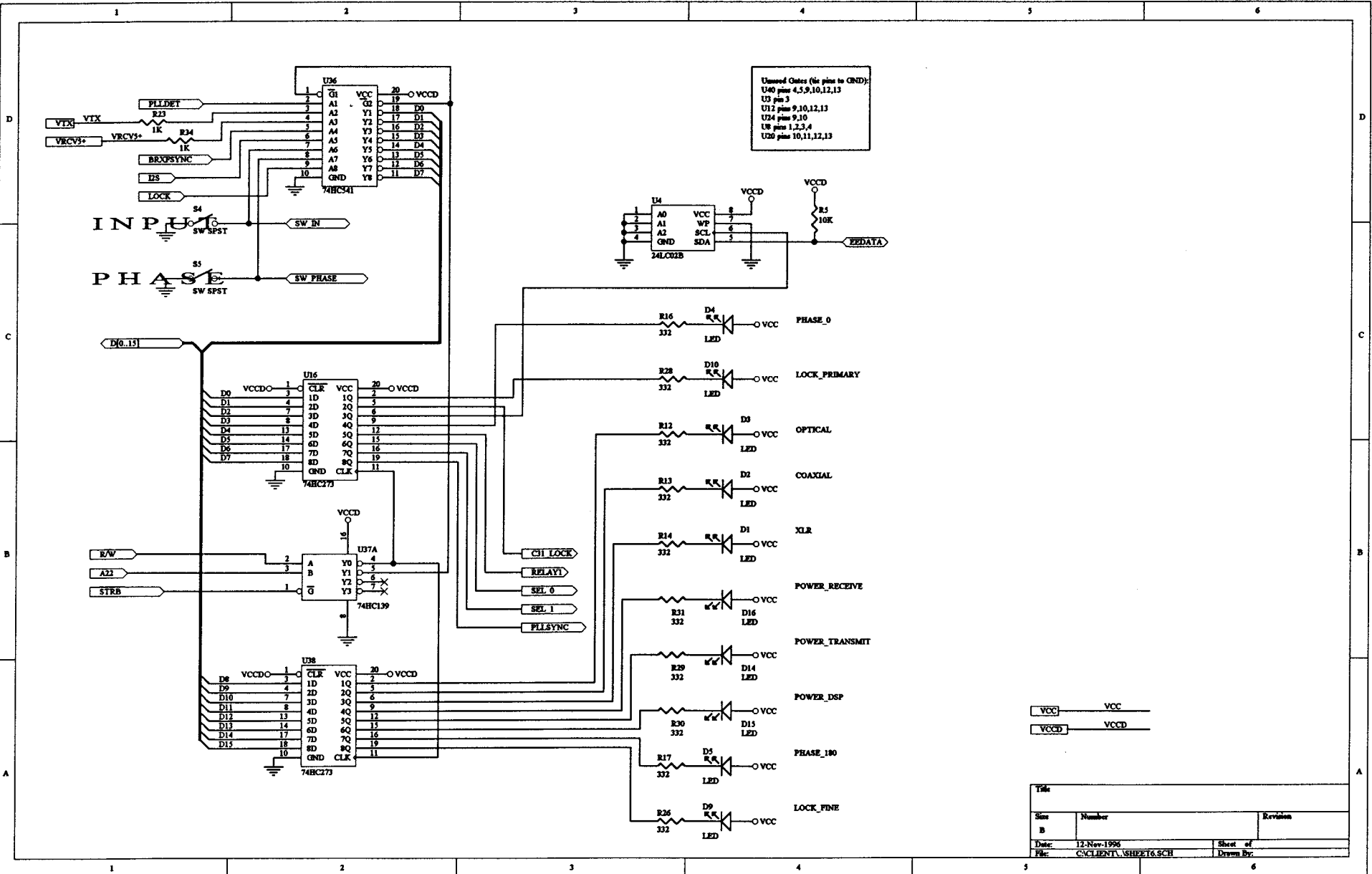


UNBALANCED RCA: DELETE R3  
 BALANCED RCA: DELETE R3



Title		
Size	Number	Revision
B		
Date:	13-Nov-1996	Sheet of
File:	C:\CLIENT\SHIPPET4.SCH	Drawn By:





Unused Codes (tie pins to GND):  
 U40 pins 4,5,9,10,12,13  
 U3 pin 5  
 U12 pins 9,10,12,13  
 U24 pins 9,10  
 U8 pins 1,2,3,4  
 U20 pins 10,11,12,13

VCC — VCC  
 VCCD — VCCD

Title		
Size	Number	Revision
B		
Date:	12-Nov-1996	Sheet of
File:	C:\CLIENT\USHEET6.SCH	Drawn By: