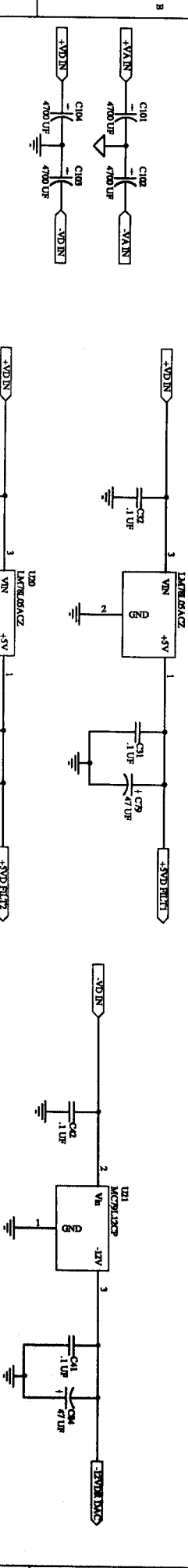
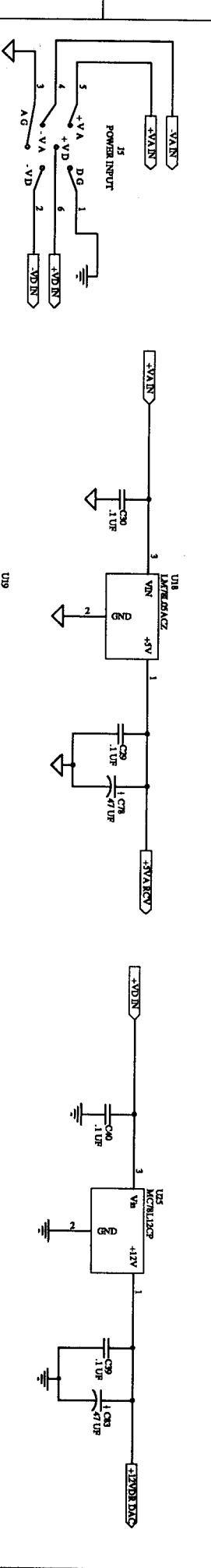
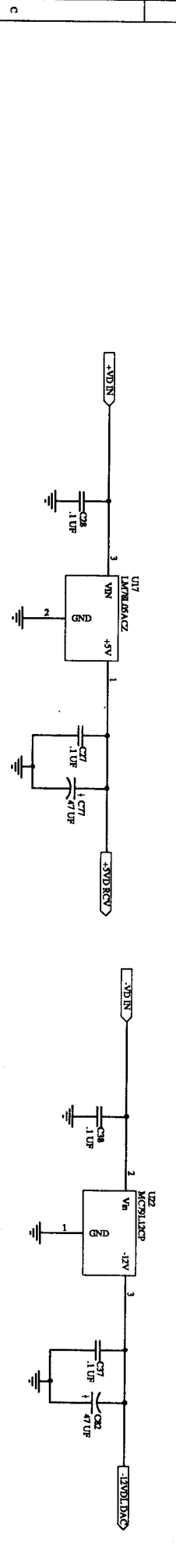
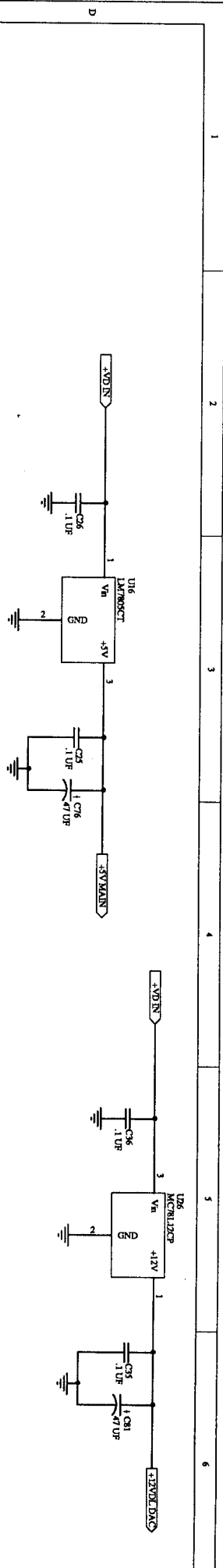
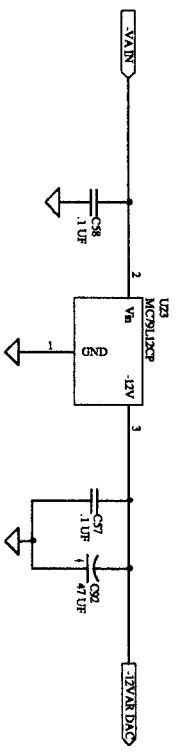
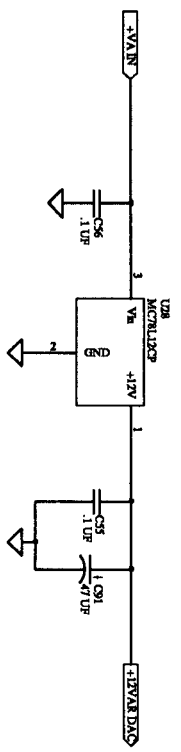
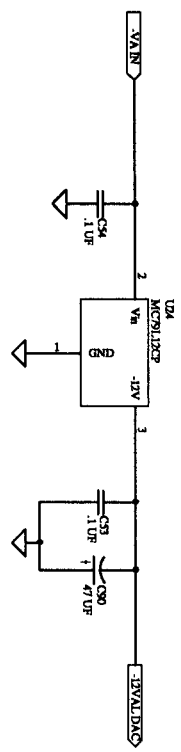
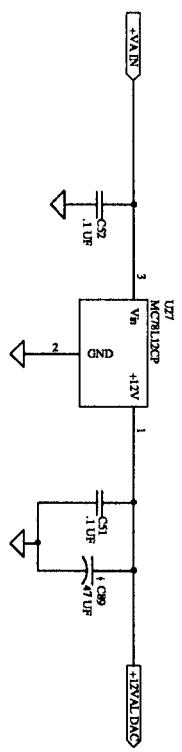


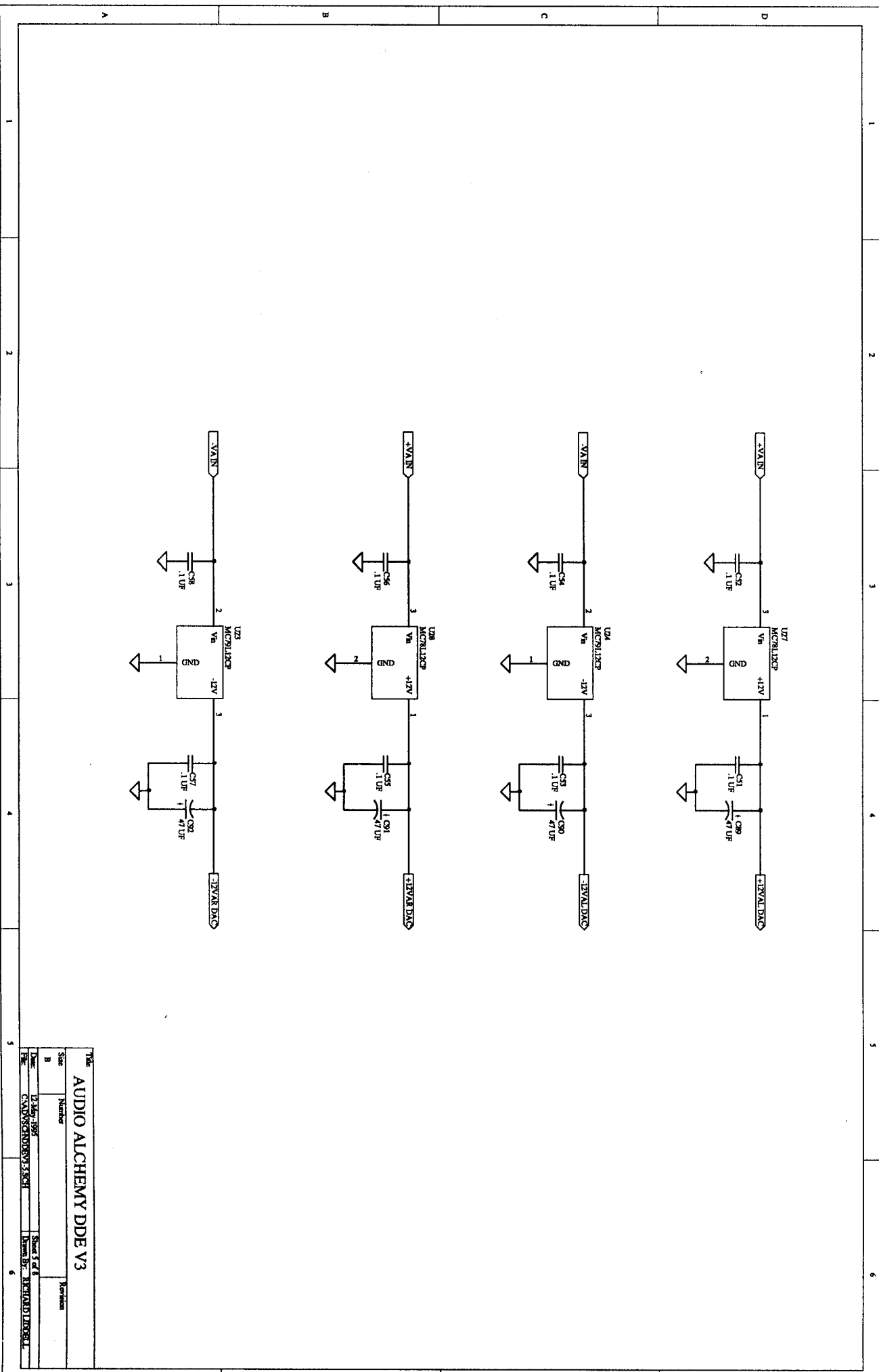
Title		AUDIO ALCHEMY DDE V3	
Size	Number	Sheet	Revision
B		3 of 8	
Date:	13 May 1993	Drawn By:	RICHARD DUBIEL
File:	C:\MSD\CHANDLER\3\3CH		



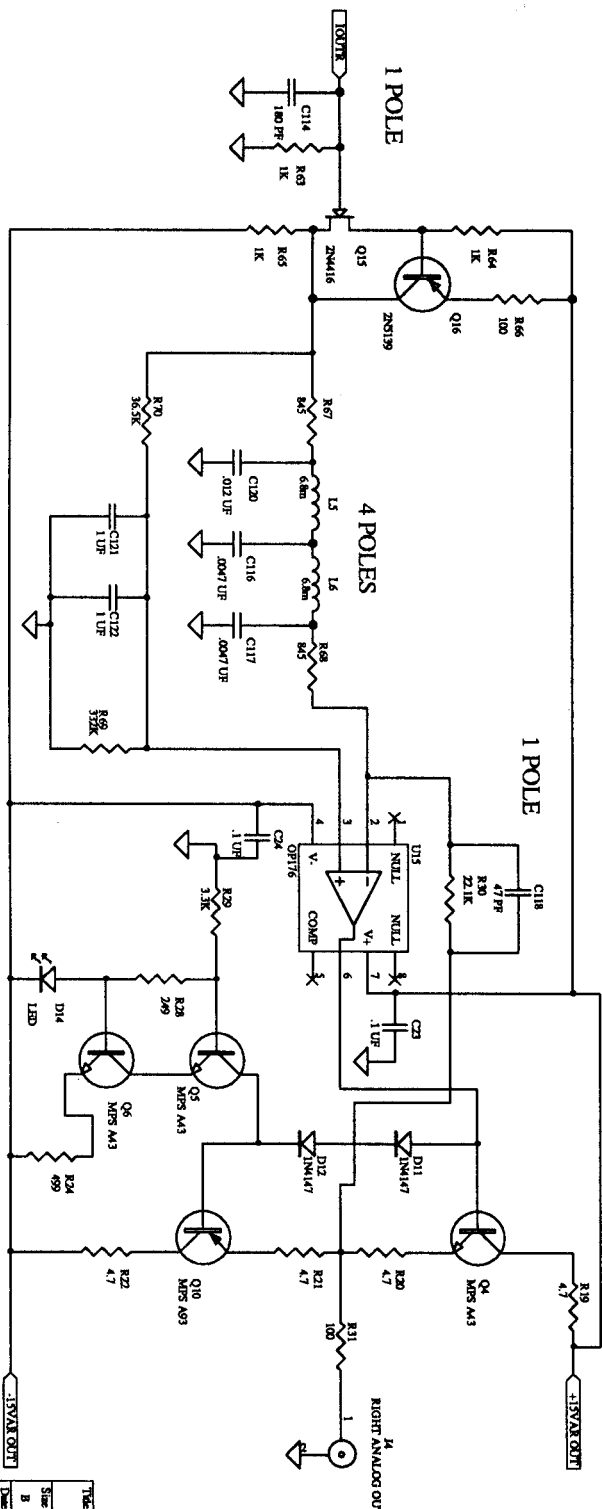
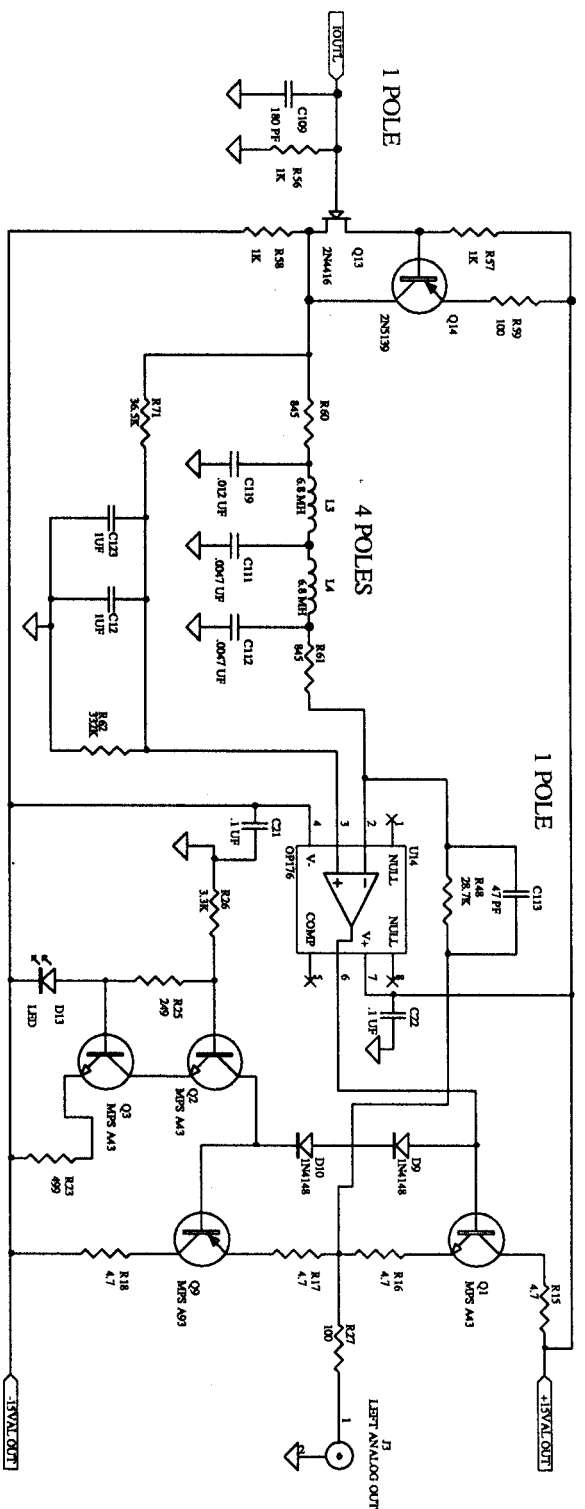
Title		AUDIO ALCHEMY DDE V3	
Sheet	Number	Sheet 4 of 4	Revision
Drawn	Number	CS/NDN/CH/DRE/2.3/SH	Drawn By: KEVIN/D/DOBEL
Date:	1/18/98		



Title		AUDIO ALCHEMY DDE V3	
Size	Number	Revision	
B			
Date:	12-Mar-1997	Sheet 3 of 4	
File:	C:\AVS\CH02REV3.SCH	Drawn By:	NEWMALDIBRELL





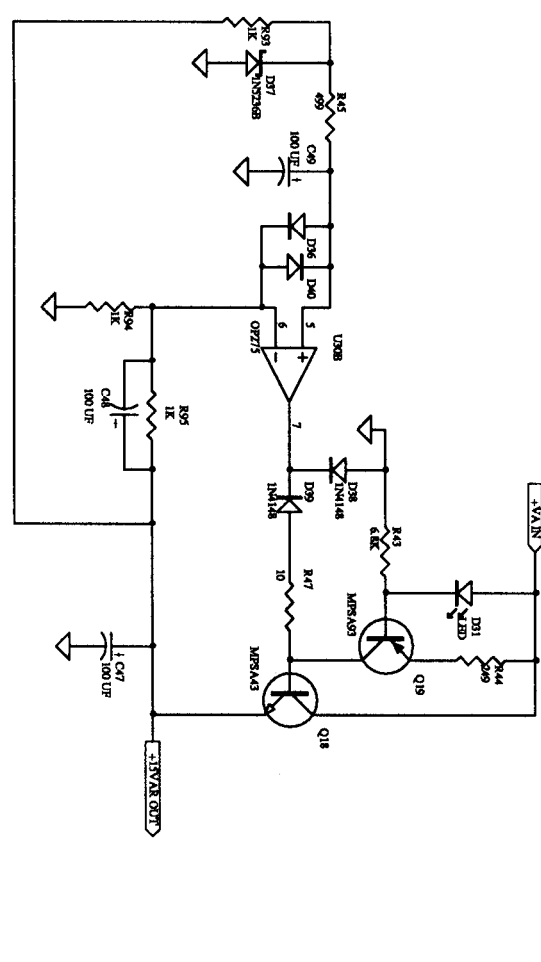
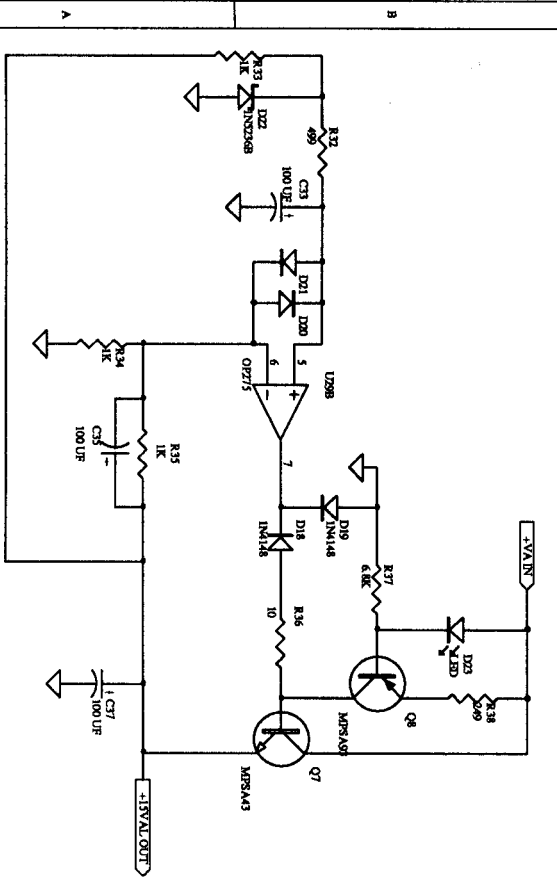
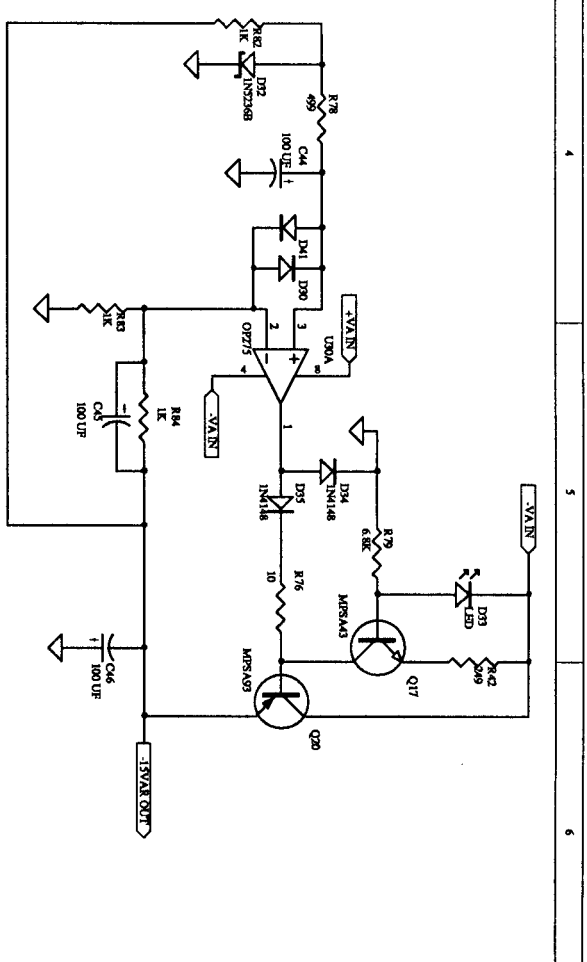
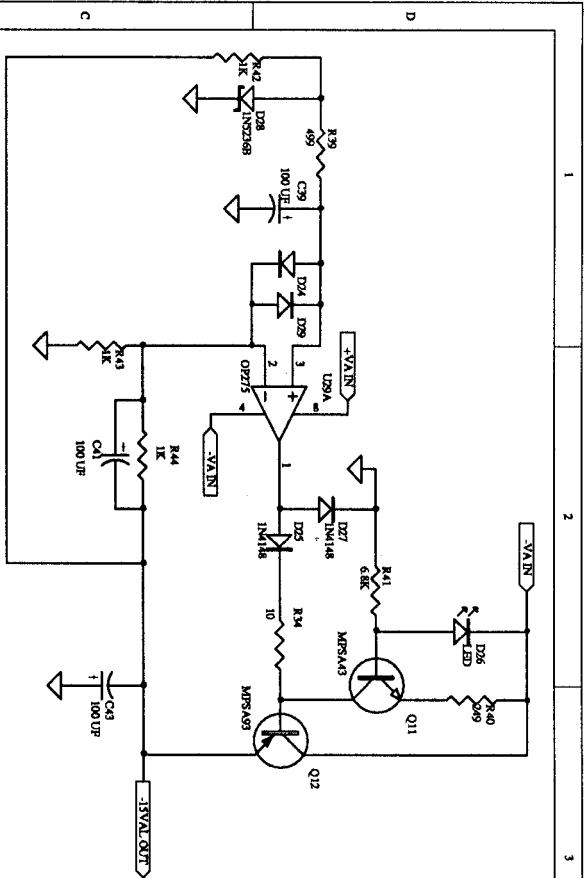


THE	
Serial Number	13 MAY 1995
DATE	13 MAY 1995
DESIGNED BY	ANDREW J. SCHULZ
SCHEMATIC	Sheet 7 of 8
REVISION	DESIGNED BY ANDREW J. SCHULZ

**AUDIO ALCHEMY DDE V3**

A B C D

1 2 3 4 5 6



Title: AUDIO ALCHEMY DDE V3  
 Size: 12 May 1995  
 Number: 8  
 Section: 8 of 8  
 Drawn By: RICHARD DUBBELT